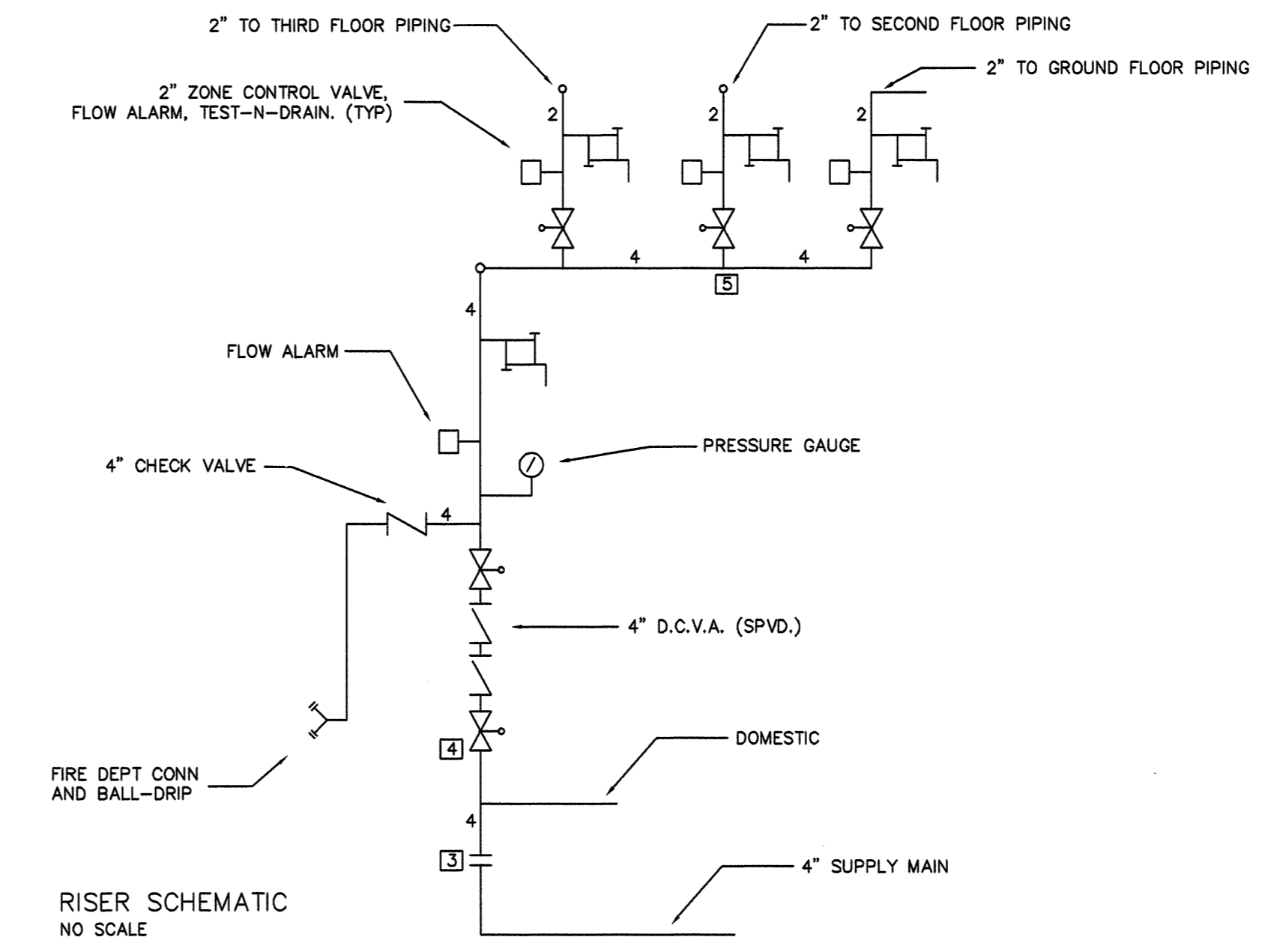
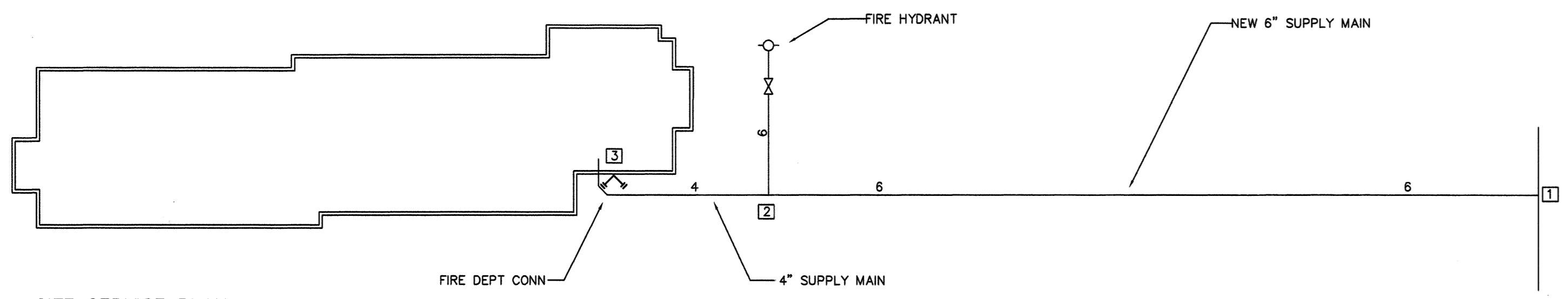


GROUND FLOOR

NOTE: PIPING ON GROUND FLOOR TO BE INSTALLED WITHIN JOIST SPACE.



RISER SCHEMATIC  
NO SCALE



SITE SERVICE PLAN.  
SCALE: 1" = 40'-0"

NOTES.

TO PROVIDE AUTOMATIC SPRINKLER SYSTEM PROTECTION, DESIGNED TO N.F.P.A. 13 R Standards.

WATER SUPPLY:

STATIC: 62 psi FLOW: 1744 usgpm @ 58 psi res.

DESIGN REQUIREMENTS:

-FLOW 4 SPRINKLERS TO OPERATE AT 13 usgpm

SPRINKLERS:

- =1/2" 155 F RESIDENTIAL CHROME PENDENT ( K=3.0) VIKING "FREEDOM" RESIDENTIAL MODEL VK470 ( MAXIMUM 16'-0" x 16'-0" COVERAGE )
- ◁ =1/2" 220 F BRASS SIDEWALL; S.R. ( K=5.6)

PRODUCTS:

All components to be NFPA and FM approved.

Pipe and Fittings:

- Blk Sch. 40 steel pipe, threaded.
- Blk C.I. screwed fittings.
- Blk L.W. steel pipe, roll-grooved.
- Grooved couplings and fittings.
- C.P.V.C. pipe and fittings.

Valves:

- All Control Valves to be supervised.
- All Control Valves to be FM approved, ULC listed for fire protection service.
- All Control Valves to be 'Indicating Type'; to NFPA 13 R Standards.
- All Drain Valves and miscellaneous trim valves to be brass, threaded.
- All Check Valves to be rubber-faced.

Pipe Hangers:

- All pipe hangers to be FM approved; ULC listed for fire protection service.
- All pipe hanger assemblies to be to NFPA 13 R Standards.

Sprinkler Heads:

- All sprinkler heads to be FM approved; ULC listed for fire protection services.
- All sprinkler heads in un-finished areas to be brass finish.

Wet Pipe System:

- 100 Control Valve, supervised.
- 100 Flow Alarm.
- Pressure Gauge.
- 50 Main Drain.
- All supervisory and alarm switches to be to FM approved, ULC listed for fire protection services, with normally open and normally closed contacts and supervisory capability.
- All supervisory wiring and alarm wiring to be completed by others.

Fire Department Connection:

- 2 1/2" x 2 1/2" x 4 Reg. Mount.

Signs:

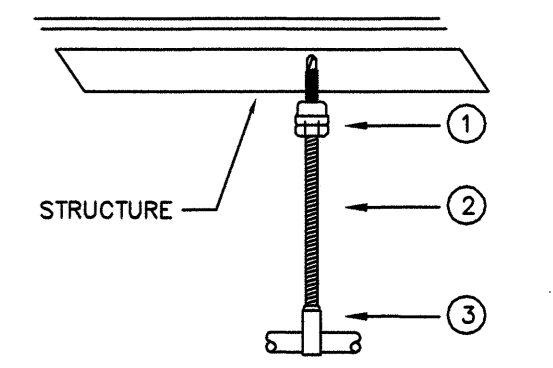
- All control valves, switches, drain valves to be equipped with signs, to NFPA 13 R Standards.

Spare Head Cabinet:

- Spare head cabinet to be installed on wall near Alarm Valve station.
- Spare head cabinet stock (6) spare heads, and wrench.

INSTALLATION:

- All piping and components to be installed to NFPA 13 R Standards, to manufacturers requirements, and to project specifications.
- All piping and components to be tested to NFPA 13 R Standards.
- All leaks to be repaired and piping re-tested.
- All components failing tests to be replaced.
- Contractors Material and Test Certificate to be completed and submitted to owners representative.



I.D.	MATERIAL	QTY
①	3/8" SAMMY SCREW	1
②	3/8" THREADED ROD	1
③	SWIVEL RING	1

ALL MATERIAL TO BE PLATED AND OR GALV

SAMMY SCREW  
HANGER ASSEMBLY  
NO SCALE

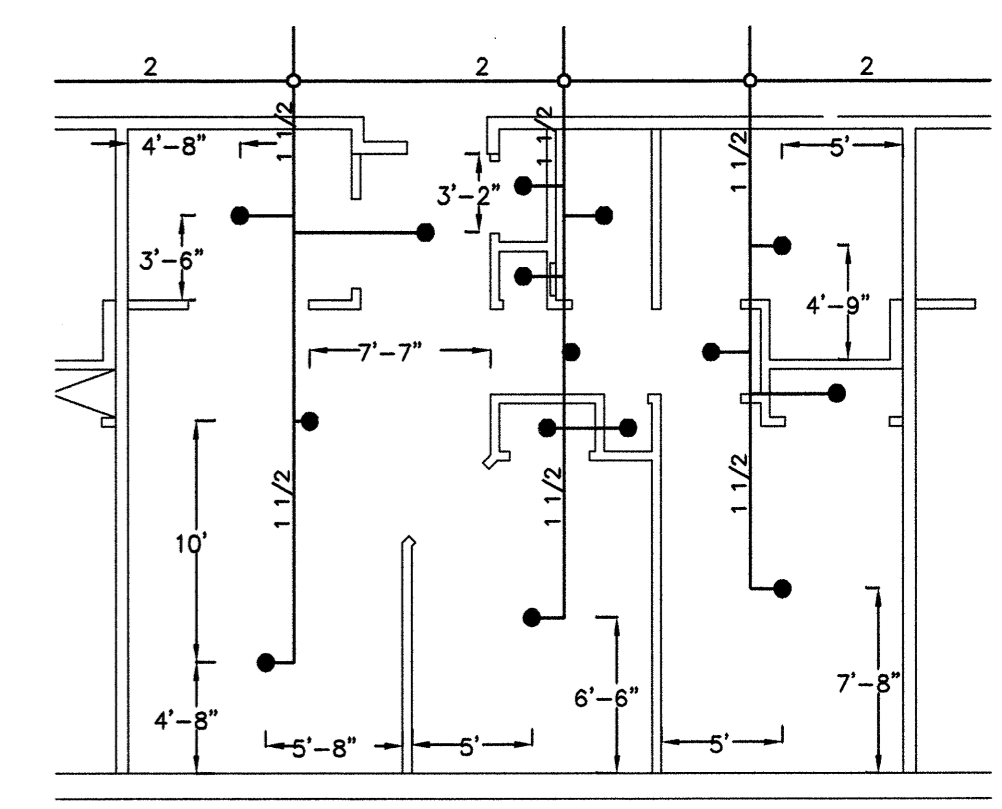
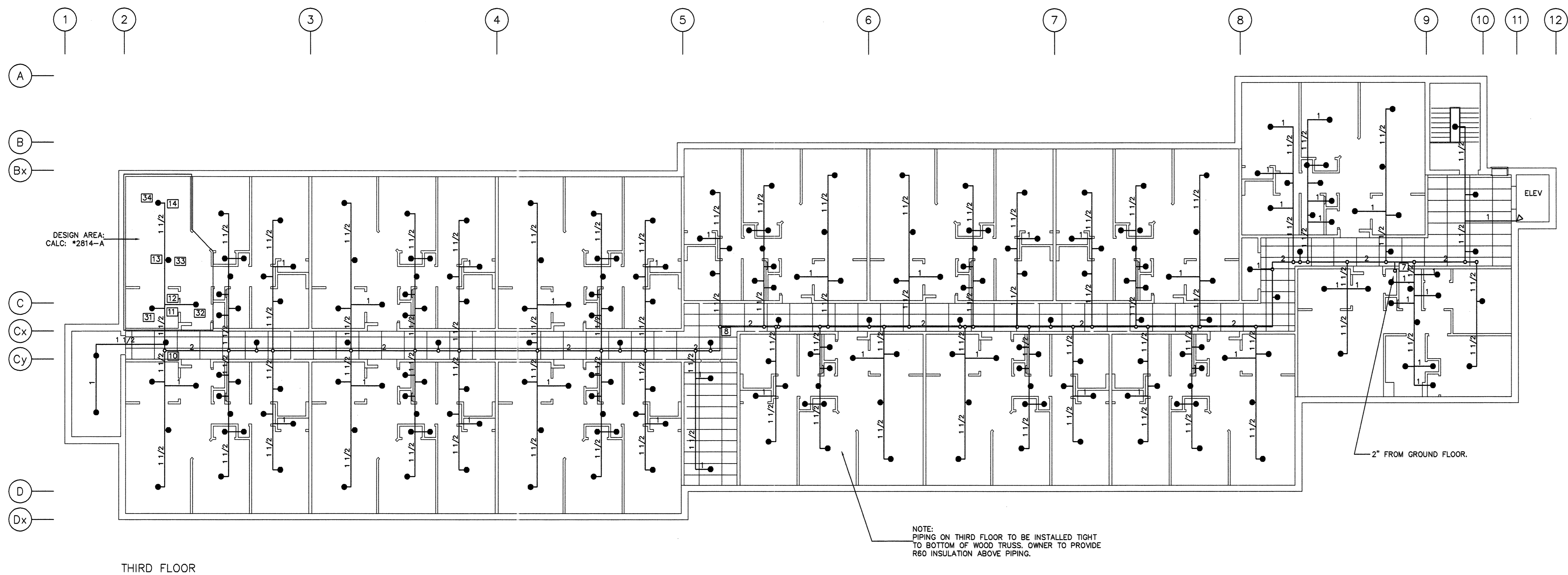
MAXIMUM DISTANCE BETWEEN HANGERS:

- STEEL PIPE:  
-1": 12'-0"
- 1 1/2"-4": 15'-0"

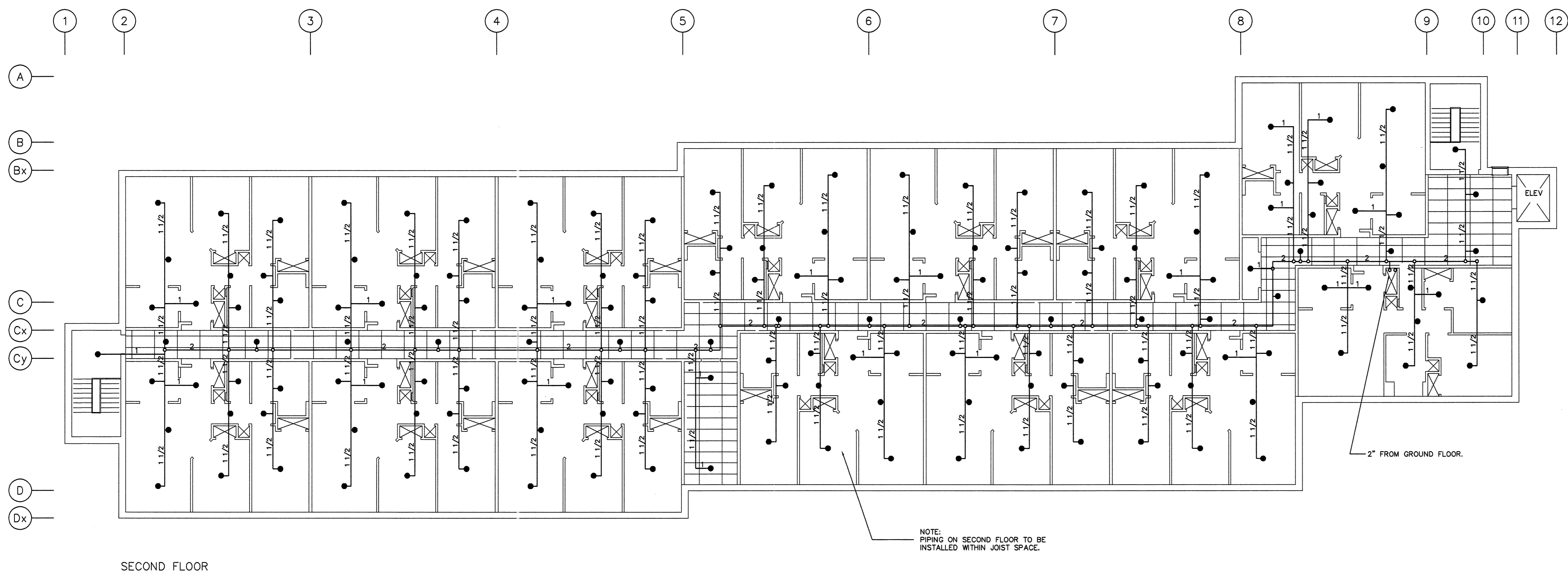
- CPVC PIPE:  
1": 6'-0"
- 1 1/2": 7'-0"
- 2": 8'-0"



PROJECT: HAZELBRAE PLACE 21 BARNARDO AVE. PETERBOROUGH, ONTARIO	CONTR' No: B-12-H-2814
SCALE: 3/32" = 1'-0"	DRWN: BNC
SPRINKLERS	CH'KD: D.J.
TITLE: NOTES, DETAILS, GRND FL. PIPING.	DATE: JUNE 2, 2012.
DESIGNED: B T NICHOLL-CARNE 416 ELLIOTT AVE; UNIT No. 16 KINGSTON, ONTARIO K7K 6Y5 TEL: 1-613-530-2295 FAX: 1-613-530-2296 E-MAIL: barryn@kingston.net	DRWG No: SP 101
	REV: 0



TYPICAL SUITE LAYOUT  
SCALE: 1/8" = 1'-0"



PROJECT: HAZELBRAE PLACE 21 BARNARDO AVE. PETERBOROUGH, ONTARIO	CONTR' No: B-12-H-2814
SPRINKLERS	SCALE: 3/32" = 1'-0"
TITLE: SECOND FL. PIPING; THIRD FLOOR PIPING.	DRWN: BNC
DESIGNED: B T NICHOLL-CARNE 416 ELLIOTT AVE. UNIT No. 16 KINGSTON, ONTARIO K7K 6Y5 TEL: 1-613-530-2295 FAX: 1-613-530-2296 E-MAIL: barryn@kingston.net	CH'KD: D.J.
	DATE: JUNE 2, 2012.
	DRWG No: SP 102
	REV: 0